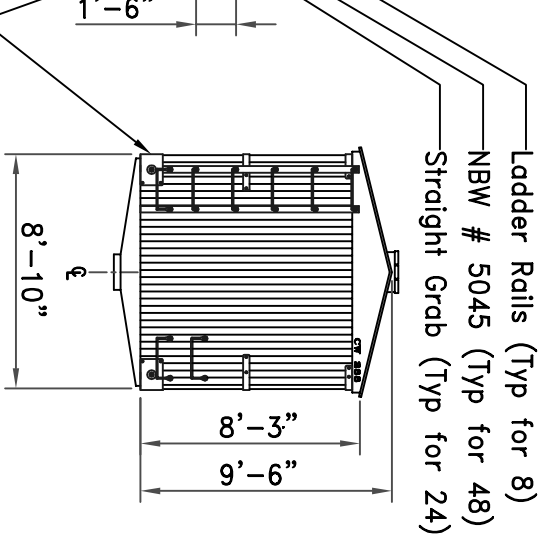
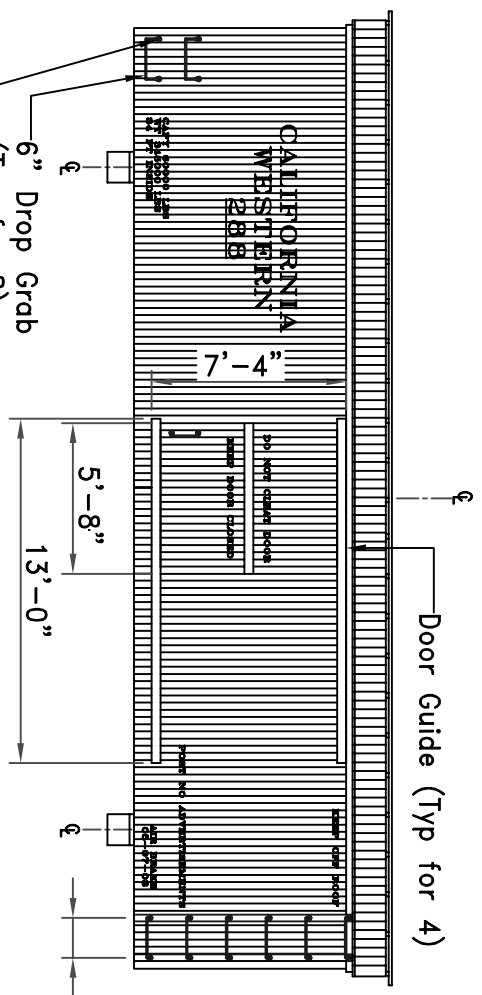


Side
(Elevation)

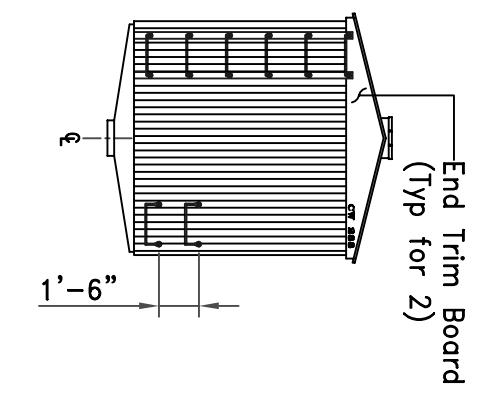


End
(Elevation)

Ladder/Grab Iron Modifications
When Using Grandt Line
Corner Straps #5169
Use Drop Grab on Bottom



Side
(Elevation)



End
(Elevation)

Bill of Material

- Framing Materials:**
- 6 - 8"x8"x 33'-10" long center beams
 - 2 - 6"x10"x33'-10" long side beams
 - 2 - 8"x10"x8'-9" long end beams
 - 2 - 8"x8"x8'-9" long queen post beams
 - 2 - 8"x2'-2"x5' long coupler block
 - 2 - 8'-9"long x1' high bolster
 - 73 - 2"x6"x8'-9" long decking
 - 2 - 8'-9"x7' high end blocks (Height will depend on Roofing Material Used)
 - 1 - 33'-10" long shaped roof material
 - 8 - 2"x3"x8'-3" long ladder rails, (notched to clear roof trim board)
 - 4 - 4"x4"x13' long Angle Iron Door Guide
 - 2 - 3"x2"x35'-10" long roof trim board
 - 2 - 1'-6"x2"x8'-10" long end trim boards (cut and shaped to suit)
 - 3 - 3"x6"x36'-9" long Roof Walk Boards
 - 25 - 2"x4"x18" long Roof Walk Supports

Siding Materials:
3.25" scribed siding

Roofing Materials:
4" Scribed siding

- Hardware:**
- 64 - Grandt Line NBW #5045
 - 12 - Grandt Line NBW #5099
 - 8 - 10" Grandt Line Queen Posts #5053
 - 24 - 18" Wide Straight Grabs (Tichy)
 - 8 - 18" Wide 6" Drop Grabs (Tichy)
 - 1 - Grandt Line #5169 Box Car Corner Plates
 - 1 - Cal Scale KB Brake Hardware set installed per kit instructions

Trucks:
Kadee Andrews Trucks

Paint:
Floquil Box Car Red

Lettering:
Champ & Various

Note:
See sheet 2 for Framing Details

| | | |
|---------------------|----------------|---|
| NOTES: | | CW 36' Box Car Sheet 1 Elevations & Details |
| DRAWN BY: CWRailman | | |
| SCALE: 1/87 | DATE: 06/02/11 | DRAWING NO. B-CW-RR-132 |
| | | REV. 1 |