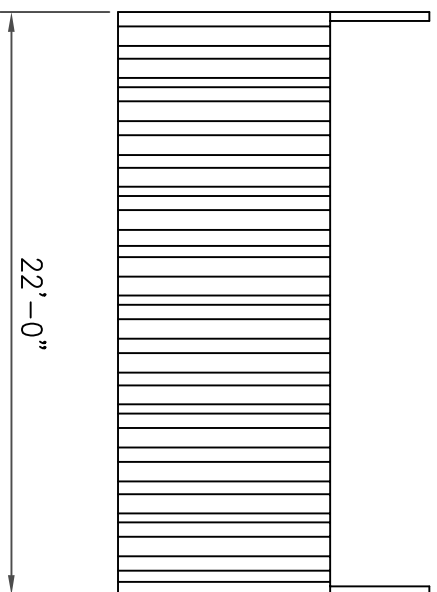
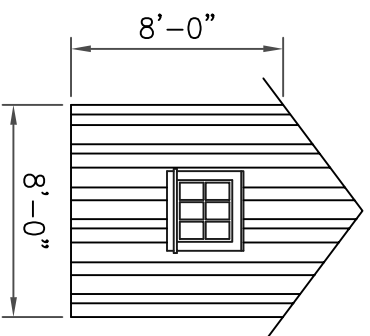


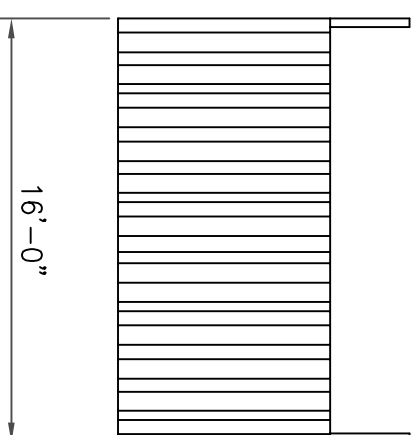
Side Elevation



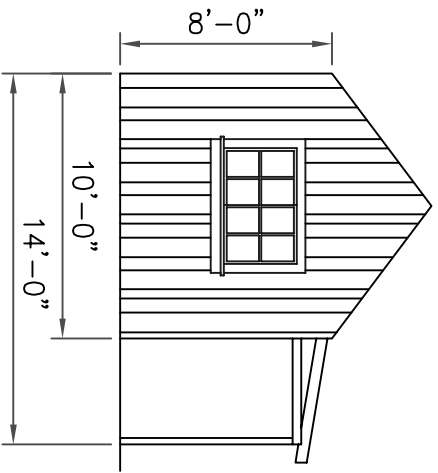
Back Elevation



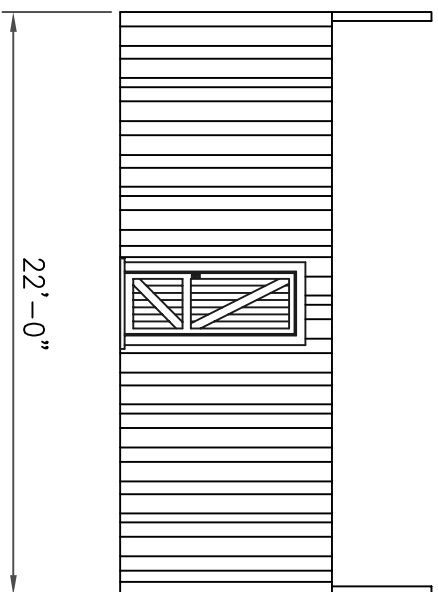
Side Elevation



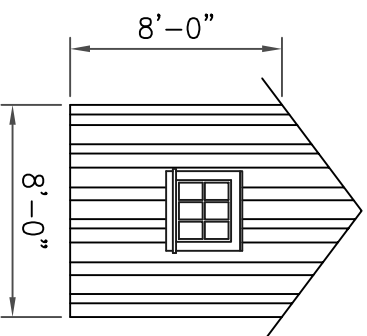
Back Elevation



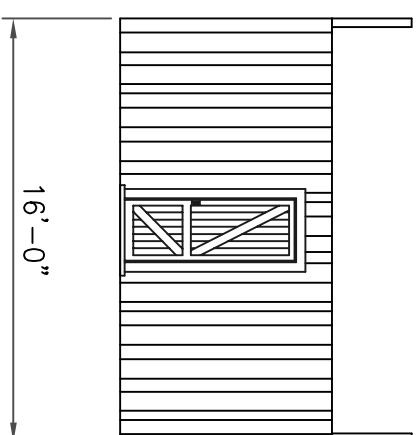
Side Elevation



Front Elevation



Side Elevation



Front Elevation

NOTES:

Loggers Cabins

Sheet 1

Elevations & Details

DRAWN BY: **CWRailman**

SCALE: **1/8"**

DATE: **04/19/11**

DRAWING NO.

B-CW-STRUCT-192

REV.

1