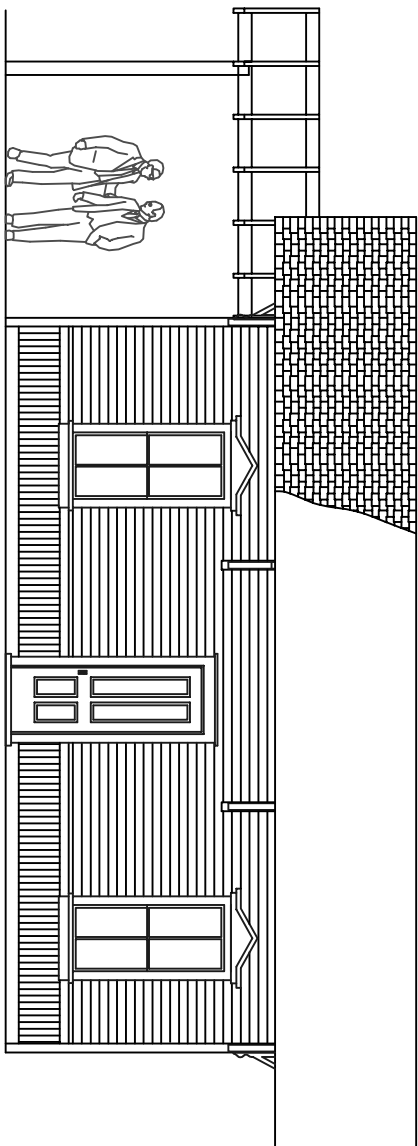
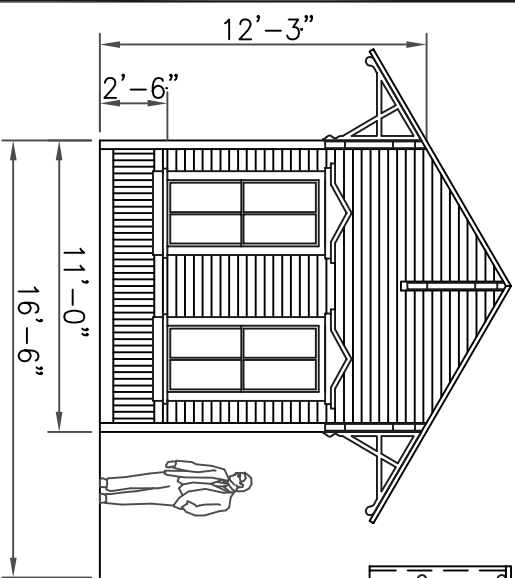


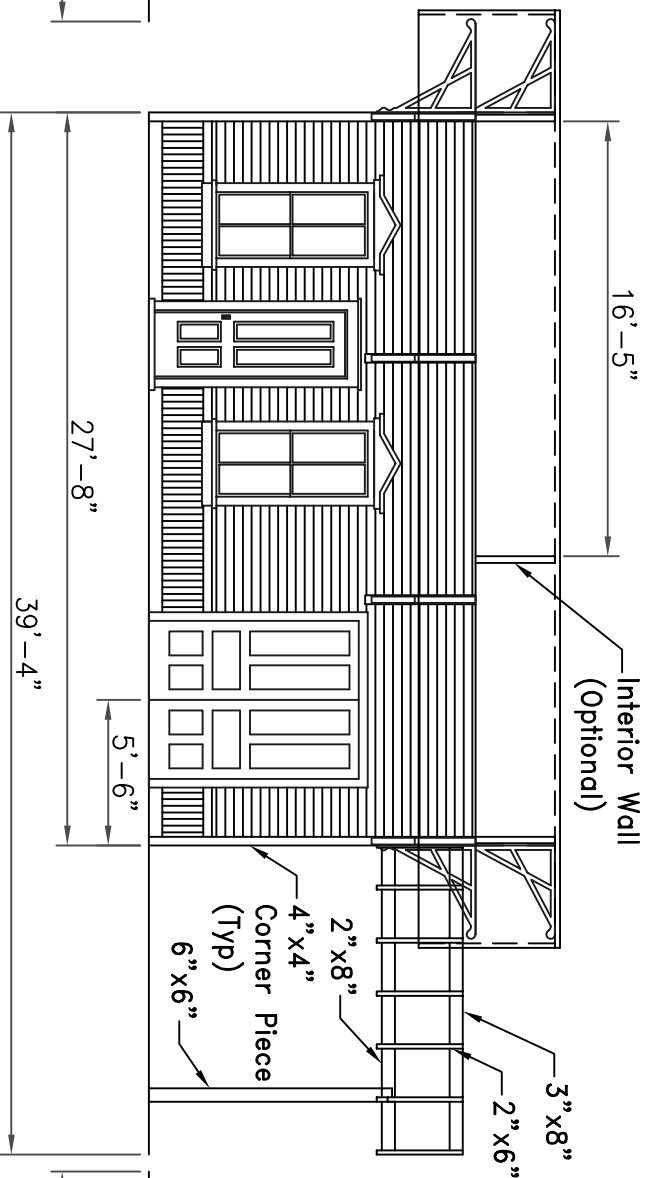
Interior Wall Elevation
(Optional)



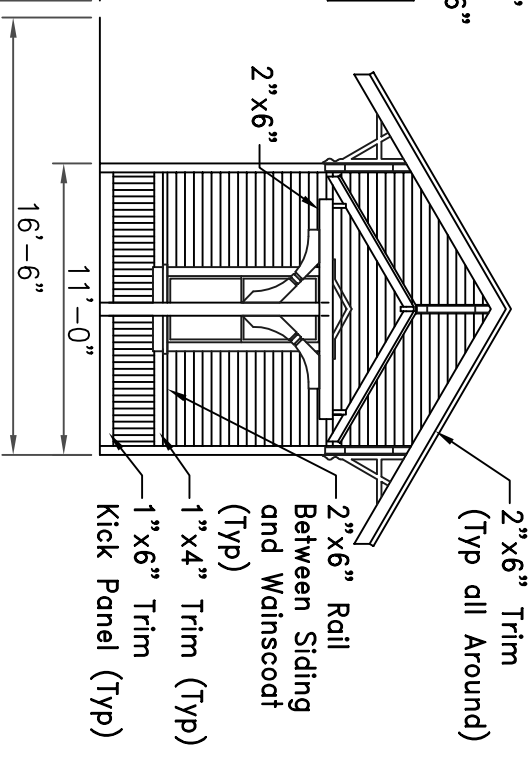
Back Elevation



Side Elevation



Front Elevation



Side Elevation

NOTES:		DRAWING NO.	
As built 11/23/12		B-CW-STRUCT-204	
DRAWN BY: CWRailman		REV. 2	
SCALE: 1/87		DATE: 08/18/12	
Station/Freighthouse Sheet 1 Elevations & Details			