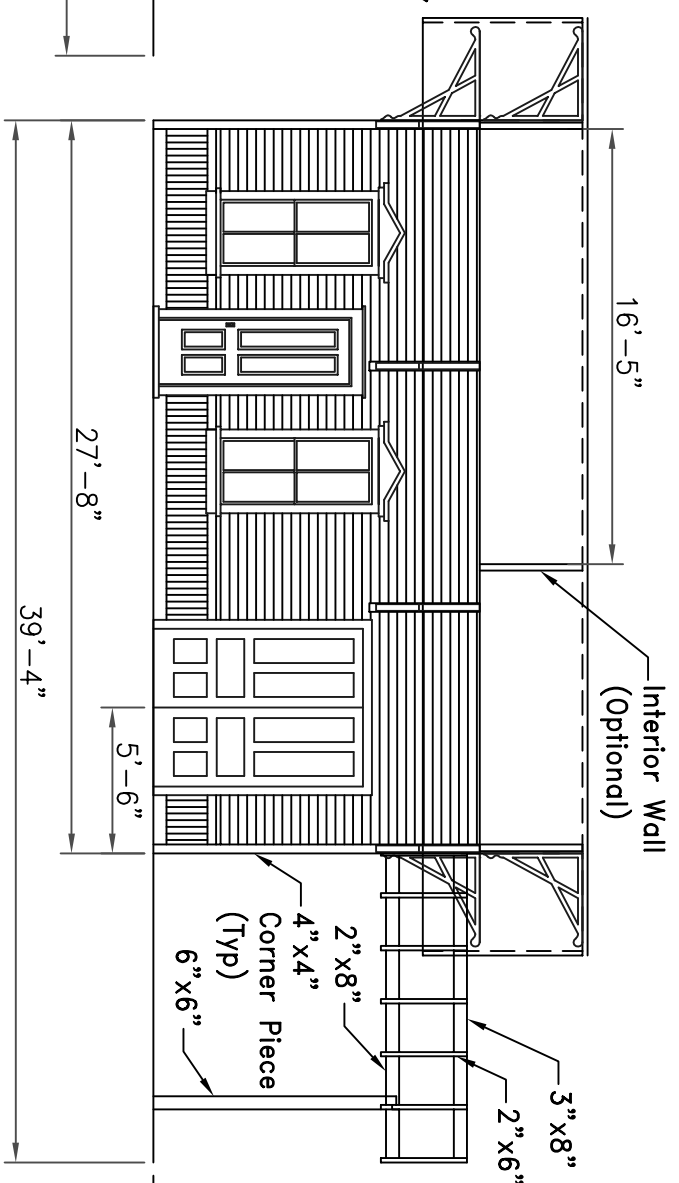
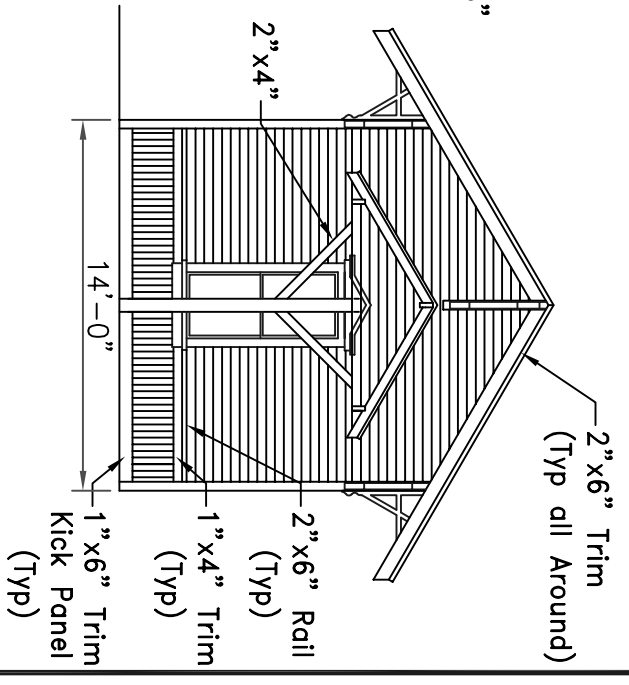


Side Elevation
(Optional Width)



Front Elevation
(Optional)



Side Elevation
(Optional Width)

NOTES:
Optional Width of 14'-0" verses 11'-0"
Use of optional width alters roof peak height.

NOTES:		Station/Freighthouse Sheet 3 Optional Elevations
As built 11/23/12		
DRAWN BY:	CWRailman	DRAWING NO. B-CW-STRUCT-206
SCALE:	1/87	
DATE:	08/18/12	REV. 2